

Foodsure[®]
innovation | solutions

Protein Bar Processing Machine



Process Flow Chart



Protein Bar
Roasting Machine



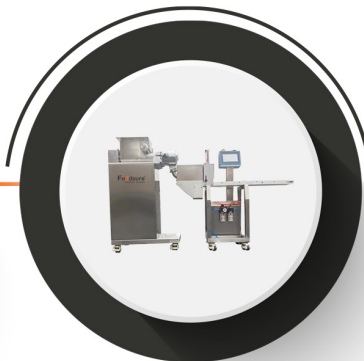
Dry Fruit
Grinding Machine



Mixing Tank



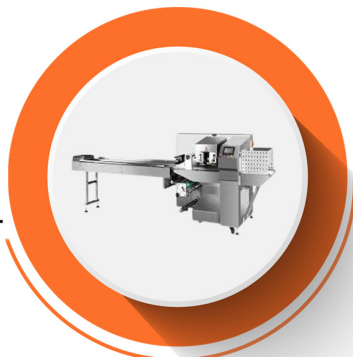
Cooling Tunnel



Extruder
Machine



Sugar Syrup
Preparation



Packaging
Machine



Ink Jet Printing
Machine

SINGLE EXTRUSION MACHINES

SI No.	Description	Capacity Per Hour	Power Load KW	Area Required sq feet For Full Plant Operation approx.	Size of the Machine L x W (Feet) approx.	MOC SS 202/SS 304
1	Single Extrusion Protein Bar/Energy Bar	50 kg	18	2000	15 x 10	SS 304
2	Single Extrusion Protein Bar/Energy Bar	80-100 kg	35	2500	20 x 8	SS 304
3	Single Extrusion Protein Bar/Energy Bar	200 kg	40	3500	30 x 8	SS 304
4	Single Extrusion Protein Bar/Energy Bar	500 kg	60	4500	65 x 8	SS 304

TWIN EXTRUSION MACHINES

SI No.	Description	Capacity Per Hour	Power Load KW	Area Required sq feet For Full Plant Operation approx.	Size of the Machine L x W (Feet) approx.	MOC SS 202/SS 304
1	Twin Extrusion Protein Bar/Energy Bar	50 kg	20	2000	15 x 10	SS 304
2	Twin Extrusion Protein Bar/Energy Bar	80-100 kg	40	2500	20 x 8	SS 304
3	Twin Extrusion Protein Bar/Energy Bar	200 kg	45	3500	30 x 8	SS 304
4	Twin Extrusion Protein Bar/Energy Bar	500 kg	65	4500	65 x 8	SS 304

SHEET TYPE MACHINES

SI No.	Description	Capacity Per Hour	Power Load KW	Area Required sq feet For Full Plant Operation approx.	Size of the Machine L x W (Feet) approx.	MOC SS 202/SS 304
1	Sheet Type Protein /Energy Bar	50 kg	12	2000	15 x 10	SS 304
2	Sheet Type Protein /Energy Bar	80-100 kg	28	2500	20 x 8	SS 304
3	Sheet Type Protein /Energy Bar	200 kg	35	4500	30 x 8	SS 304
4	Sheet Type Protein /Energy Bar	500 kg	55	6500	65 x 8	SS 304

Achieve consistency and quality with our advanced protein bar processing machines.

PROCESSING MACHINES



Protein Bar Roasting Machine- Protein Bar roasting machine is a specialized appliance designed for evenly roasting dry fruits. It operates by using precise temperature control to ensure consistent roasting without burning. These machines come in various sizes, from small counter top models for home use to larger industrial units for commercial production.



Dry Fruit Grinding Machine- Dry Fruit Grinding Machine is an essential piece of equipment designed for grinding various types of dry fruits into fine or coarse powder. This machine is widely used in food processing industries to prepare ingredients for snacks, health bars, desserts, and other culinary applications.



Main Mixing Tank with High Shear Mixer-The Foodsure Main Mixing Tank with High Shear Mixer and Agitator, crafted from high-quality stainless steel (SS 304), is a specialized machine designed for the efficient production of protein bar.



Sugar Syrup Preparation-The Sugar Syrup and Chocolate Preparation Machine for Bar Production is specifically designed to cater to the needs of bar manufacturers, such as those producing protein bars, granola bars, and chocolate bars.



Extruder Machine- This machine is designed to extrude, form, and cut protein bars with precision, ensuring consistency in size, shape, and quality.



Cooling Tunnel- This tunnel ensures that freshly extruded bars maintain their desired shape, texture, and quality by cooling them uniformly.



Packaging Machine-The Foodsure Auger Filler Packaging Machine with SS 304 construction is an advanced and efficient solution for accurately dosing, filling, and packaging a variety of dry and powdered products in the food industry.



Ink Jet Printing machine-The 4-Line Inkjet Printing Machine is a versatile industrial printer designed for high-speed, four-line coding on various surfaces.

Upgrade your production with our advanced Protein Bar machines for efficient processing and superior quality outputs.

Packaging Type

01



Protein Display Box

02



Protein Display Box

03



Stored Display Racks

04



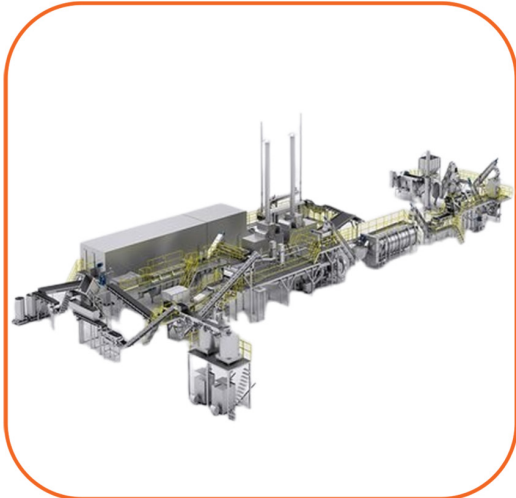
Counter Display Racks



**Tomato Ketchup & Sauce
Processing Plant**



**Sweet Corn Canning
Processing Plant**



**Mushroom & Vegetable
Canning Processing Plant**



**Mayonnaise
Processing Machine**



**Beverage
Processing Plant**



**Ginger & Garlic Paste
Processing Plant**

Our Esteemed Customers



Factory Address:

A-108, Sector-10 Noida-201301

Corporate & R&D House:

A-43, Sector-57, Noida-201301,
India

wecare@foodsure.in
sales@foodsureindia.com

www.foodsure.in
www.foodsureindia.com

+91 8826663121
+91 8826313121